

Not to scale.

CODE & TESTING

ASTM C-1063

MATERIAL SPECIFICATIONS

Galvanized Steel

PRODUCT DESCRIPTION

The TRUFAST® Grip-Plate® Washers are 1-1/4" galvanized steel washers used for attaching lath, exterior gypsum sheathing, plaster or stucco. The Tab Washer can also be used for foam and wire lath attachment in insulated stucco walls, one-coat stucco, and to attach foam-core tile backer board. Washers can be installed with shot-in pins or Grip-Deck® screws.

APPROPRIATE ACCESSORIES

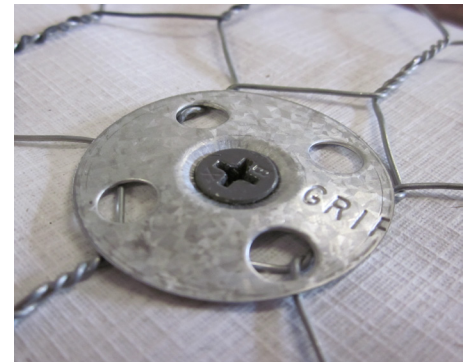
Use with Grip-Lok® Autofeed Fastening System for rapid attachment.



PRODUCT FEATURES

- Attaches lath, exterior gypsum sheathing, and can also be used for plaster and stucco repair
- 1-1/4" diameter galvanized steel washers
- Large and small center hole versions available for use with screws, nails, and pins
- Keyholes for bonding of basecoat/plaster
- Tab washer has 4 tabs for pre-spotting and lath engagement
- Made in USA
- Use as tested or recommended to support heavy adhered masonry cladding over layers of continuous insulation

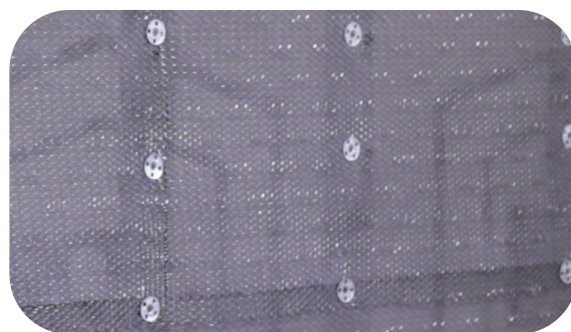
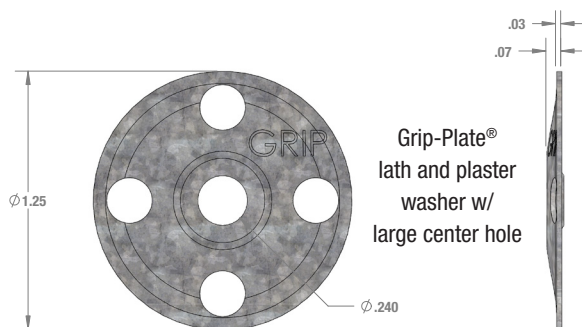
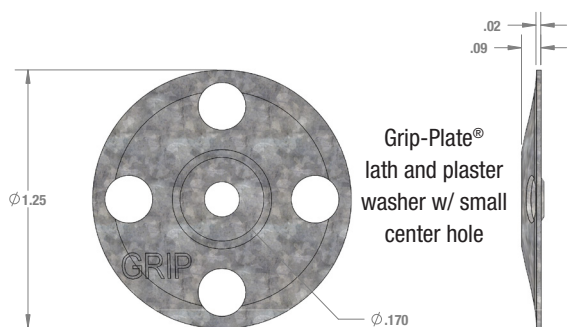
* Patented or patent pending.



PRODUCT SELECTION

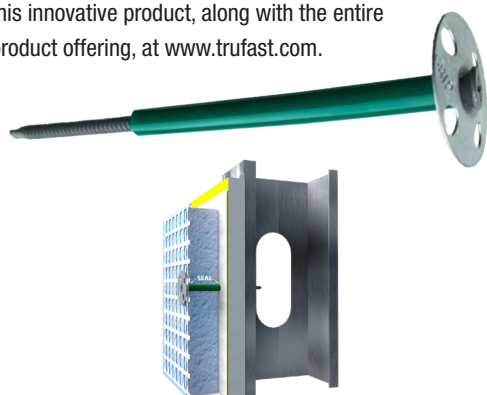
Part No.	Description	Pkg. Qty.	Pkg. Wt.
GPPW-L-1250	Grip-Plate Washer with Large Hole	1000 pcs.	7 lbs.
GPPW-S-1250	Grip-Plate Washer with Small Hole	1000 pcs.	7 lbs.
GPTAB-1250	Grip-Plate Tab Washer	1000 pcs.	8 lbs.

PRODUCT SPECIFICATIONS



PRODUCT BREADTH

Take your lath and plaster attachment to the next level with Grip-Plate TubeSeal® fastener-and-washer-combos from TRUFAST®. They are designed to help seal blind fastener penetrations of your WRB and air-barrier when mechanically attaching lath over continuous insulation and the WRB. Learn more about this innovative product, along with the entire product offering, at www.trufast.com.



Bulletin No. TFW-24034

DISCLAIMER

The information provided here is subject to change without notice. The performance specifications published in this TRUFAST® product literature are based on controlled laboratory tests and are intended as a guideline only. They are not guaranteed in any way by the ALTENLOH, BRINCK & CO. US, INC., since building design, engineering,

and construction, including workmanship and materials, are beyond the control of the manufacturer. The manufacturer recommends that pull-out tests be conducted to verify the substrate provides adequate pull-out values.